

ZJ-LC 螺纹式液压快速接头 (碳钢)

ZJ-LC THREAD LOCKED TYPE HYDRAULIC QUICK COUPLING (STEEL)

 两端开闭式
Valve in both socket and plug



特征



ZJ-LC 系列接头具有以下特征:

ZJ-LC快速接头采用螺纹连接, 母接头带蝶型螺母套筒, 使操作都在存有残留的情况下也能手动连接。

并于下列产品互换:意大利快事达 (FASTER) CVE系列、英国亨佰利 (HOLMBURY) VCR系列。

Features



ZJ-LC Series couplings:

ZJ-LC is a thread-to-connect coupling, socket with nut can operate by manual with left over pressure.

Compatible with FASTER CVE Series, HOLMBURY VCR Series.

订货编号:

Part Number:

主体材质 碳钢 Steel

Z J - L C - 0 6 - P F G 3 / 4

- ◆ 系列号 (Series) ————
- ◆ 规格代号 (Code) ————
- ◆ P 插头 (Plug)
- S 母体 (Socket)
- SP 整套 (Coupling)
- ◆ M 外螺纹 (Male Thread)
- F 内螺纹 (Female Thread)
- ◆ 螺纹代号 (Thread Code) ————

应用

Applications



ZJ-LC专为自卸车, 营运车, 农用机械和建筑机械移动式设备而设计的。



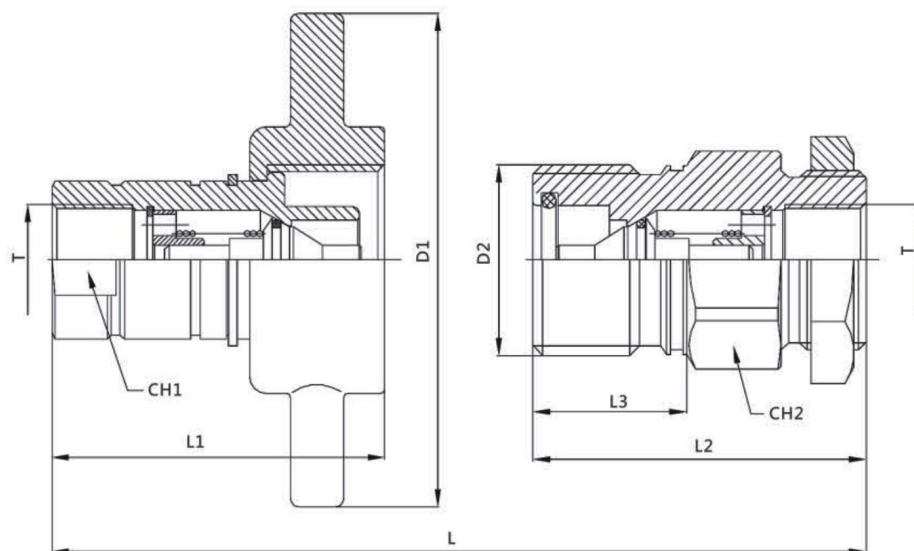
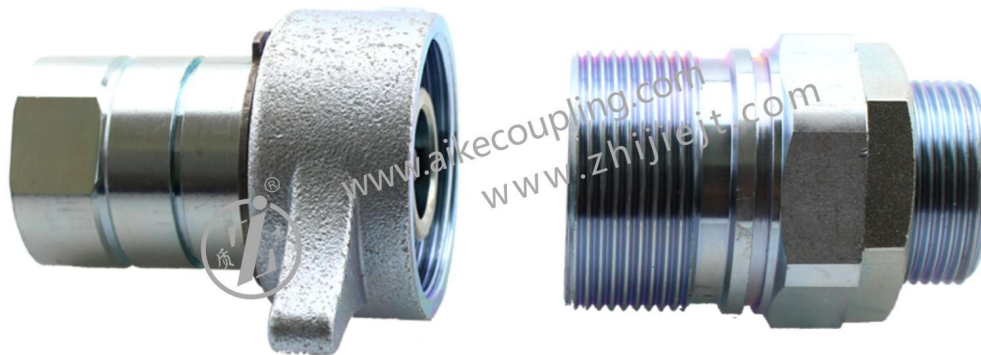
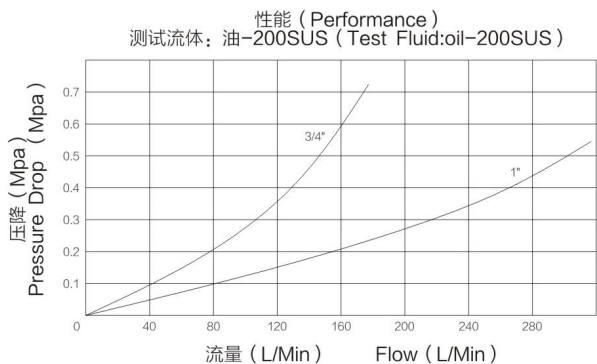
ZJ-LC is specially designed for dump trucks, Buses, Agricultural machinery and mobile construction equipment.

规格(英寸) Body Size(in)	规格代号 Code	额定压力 (MPa) Rated Pressure(MPa)			额定流量 (L/min) Rated Flow(L/min)	温度范围 (丁腈橡胶) 温度范围 (氟橡胶) Temperature Range(NBR) Temperature Range(FKM)	
		碳钢 Steel	不锈钢 Stainless Steel	黄铜 Brass			
3/4	06	27.6			94.5	-20℃~+100℃	-20℃~+180℃
1	08	20.7			189	-20℃~+100℃	-20℃~+180℃

ZJ-LC 螺纹式液压快速接头 (碳钢)

ZJ-LC THREAD LOCKED TYPE HYDRAULIC QUICK COUPLING (STEEL)

 两端开闭式
Valve in both socket and plug



PART NO.	ISO	L	L1	L2	L3	D1	D2	CH1	CH2	T
ZJ-LC-06-SP	DN20	133	78	78	36	115.5	1-3/4-10UN	33	46	ZG3/4 G3/4 NPT3/4
ZJ-LC-08-SP	DN25	145	83	83	41	115.5	2-3/4-12UN	40	55	ZG1 G 1 NPT1