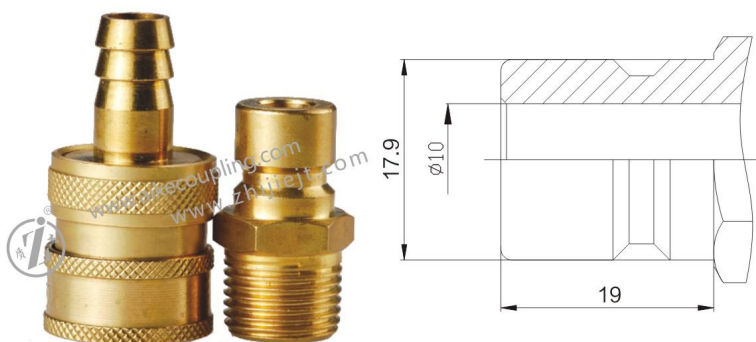


ZJ-MC 模具专用快速接头 (黄铜)

ZJ-MC MOULD QUICK COUPLING (BRASS)

两端开通式
Socket without valve Plug without valve



| | |
|--|--|
| | |
| 产品描述: 特别为冷却系统和注射模具设计。 | Product description: special design for cooling system and injection mold |
| 温度范围 (丁腈橡胶): $-20^{\circ}\text{C}+150^{\circ}\text{C}$ | Temperature range (silicone rubber): $-20^{\circ}\text{C}+150^{\circ}\text{C}$ |
| 工作压力: 1.5Mpa | Operating pressure: 1.5 Mpa |
| 优点: 结构简单, 大流量, 无阀设计。 | Advantages: simple structure, high flow rate and no valve design |
| 应用: 模具行业, 冷却系统。 | Applications: mold industry and cooling system |
| 互换性: 派克 (PARKER) MOLDMATE 系列。 | Interchangeability: PARKER MOLDMATE Series |

主体材质 黄铜 Brass

订货编号:

Part Number:

ZJ-MC-SF G1/2

- ◆ 系列号 (Series) ————
- ◆ P插头 (Plug) ————
- ◆ S母体 (Socket) ————
- ◆ SP整套 (Coupling) ————
- ◆ M外螺纹 (Male Thread) ————
- ◆ F内螺纹 (Female Thread) ————
- ◆ H宝塔 (Hose Barb) ————
- ◆ 螺纹代号 (Thread Code) ————

外螺纹 Male

| PART NO. | L1 | L2 | D1 | CH | T |
|----------|------|----|----|----|-------|
| ZJ-MC-SM | 50.5 | 14 | 30 | 27 | ZG1/2 |

内螺纹 Female

| PART NO. | L1 | L2 | D1 | CH | T |
|----------|------|----|----|----|------|
| ZJ-MC-SF | 48.5 | 14 | 30 | 30 | G1/2 |

宝塔 Hose barb

| PART NO. | L1 | L2 | D1 | T |
|----------|----|----|----|------|
| ZJ-MC-SH | 56 | 25 | 30 | 14 |
| | 56 | 25 | 30 | 20.5 |

外螺纹 Male

| PART NO. | L1 | CH | T |
|----------|----|----|-------|
| ZJ-MC-PM | 35 | 19 | G3/8 |
| | 41 | 22 | ZG1/2 |

加长 Male extend

| PART NO. | L1 | CH | T |
|-----------|-----|----|-------|
| ZJ-MC-PML | 75 | 22 | ZG1/2 |
| | 100 | 22 | ZG1/2 |
| | 125 | 22 | ZG1/2 |
| | 150 | 22 | ZG1/2 |

