

# ZJ-TC 开闭式超高压液压快速接头 (碳钢)

ZJ-TC CLOSE TYPE SUPER HIGH PRESSURE HYDRAULIC QUICK COUPLING (STEEL)

## 特征



ZJ-TC 系列接头具有以下特征:

可靠的阀止挡。阀轴架可保持阀对中和并提供金属对金属的阀止挡, 从而确认每次阀都可以完全打开。
带橡胶密封件的精密加工阀可在断开后提供可靠的关系。
经过淬火处理的公接头和套筒以及实心棒结构造就优质接头, 它可最大的抵抗由于液压和机械冲击而造成的损坏。
耐用球锁机构保证每次都能可靠连接, 更多数量的锁定钢球均匀分配工作负载, 同时提供对中和旋转动作从而减小软管扭曲并延长软管使用期。警告: 这类产品不能用作旋转接头, 在压力下旋转会导致过度和过早磨损。
套筒锁紧机构可防止接头在地上拖动时意外断开。
并于下列产品互换: 美国派克 (PARKER) TC系列。

## Features



ZJ-TC Series couplings:

Steady valve guard. Valve shaft bracket can keep valve in the center and provide .
Metal-to-metal Valve Guard To Ensure The Valve Completely Open Every Time.
The precise valve with rubber ring ensures stability of coupling when disconnecting. Quenching treated plug and sleeve and steel coupling can bear hydraulic and mechanical shock.
Durable ball locking mechanism is the guarantee of reliable connection every time. Steel locking balls equally divide operation, meanwhile, provide alignment and rotating action to reduce torsion resistance of pipe and increase pipe service life. CAUTION: this kind of product cannot be used as a rotating coupling, because rotating under pressure will over-wear the coupling.
Sleeve locking mechanism is engaged by rotating sleeve after connection. It prevents accidental disconnection when , the coupling is dragged along the ground.
The same function and can interchange following foreign products: PARKER TC Series.

两端开闭式  
Valve in both socket and plug



## 应用

## Applications

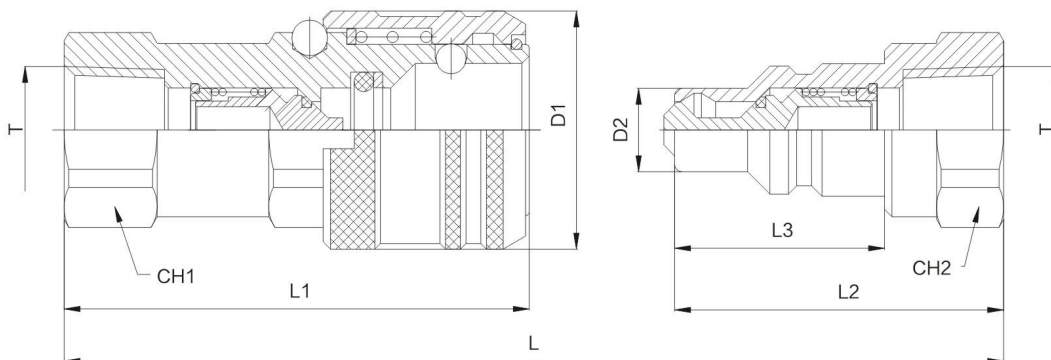


ZJ-TC系列接头可用于建筑、铁路维护及房屋移动行业。用于液压千斤顶设备时, 这类接头可消除由螺纹连接不当引起的代价较高的停机时间。对于需要高压应用状况下, 需要可靠的连接方式这种快速接头比螺纹型连接快的多。



ZJ-TC is used in construction, railway maintenance and hose mobile fields. For hydraulic jacks, this kind of couplings can avoid suspending time because of improper thread connection. This quick coupling costs less connection time than other threaded type coupling in high pressure condition.

规格(英寸) Body Size(in)	规格代号 Code	额定压力 (MPa) / Rated Pressure(MPa)			额定流量 (L/min) Rated Flow(L/min)	温度范围 (丁腈橡胶) / 温度范围 (氟橡胶) Temperature Range(NBR) / Temperature Range(FKM)	
		碳钢 Steel	不锈钢 Stainless Steel	黄铜 Brass			
3/8		69			23	-20℃~+100℃	-20℃~+180℃



PART NO.	ISO	L	L1	L2	L3	D1	D2	CH1	CH2	T		
ZJ-TC-SP	DN10	79	62.5	44	28.2	32	11.2	24	24	ZG3/8	G3/8	NPT3/8